



Series RSL0811

Precision Miniature Tension/Compression Load Cell

Standard Features

- Tension / Compression
- Welded Stainless Steel
- 0.15% Accuracy
- -50°C to 120°C Operation
- mV/V Output



Shown Actual Size

Standard Specifications

Performance

Capacities	100, 250, 500, 1000 lbs.
Output	2mV/V nominal.
Accuracy	0.15% BFSL.
Compensated Temperature Range	20°C to 76°C.
Operating Temperature Range	-50°C to 120°C.
Temperature Effect on Zero	0.006% FSO/°C.
Temperature Effect on Span	0.006% Reading/°C.
Zero Balance	1% FSO.
Bridge Resistance	350 Ohms nominal.

Mechanical Characteristics

Calibration	5 Points (0, 50%, 100%, 50%, 0) Tension.
Static Overload Capacity	150% FSO.
Construction	Welded stainless steel.

Electrical Characteristics

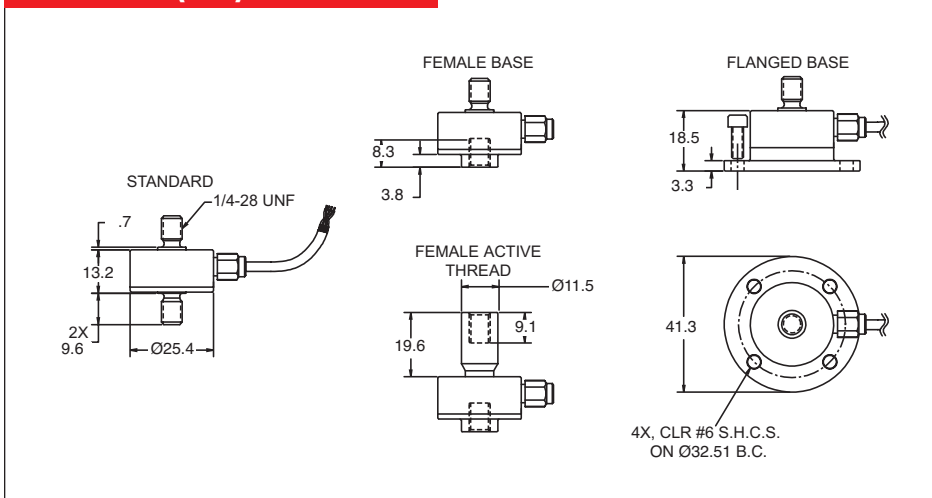
Excitation	10 Vdc or Vac.
Insulation Resistance	Greater than 5000 megaohms at 50 Vdc at 20°C.
Electrical Termination	10', 4 Conductor Shielded Teflon Cable
Output	RED +EXE BLACK - EXE GREEN - SIG WHITE +SIG

RSL0811

Series RSL0811 Specifications

Baseline Configuration Specs Represented.
Modifications Encouraged - See Below
Custom Designs Available

Dimensions (mm)



Available Options

Base	Male thread. Female thread. Flange.
Threads	Metric.
Compensated Temperature Ranges	From -50°C up to 200°C.
Operating Temperature Ranges	From -50°C up to 200°C.
Calibration	Additional calibration points (in addition to standard 5 points) available (Consult Factory) Special and custom calibration available (Consult Factory)
Calibration Type	Compression Only. Tension/Compression.
Amplifiers	Integral or In-Line (Consult Factory). • Analog (4-20 mA; ±5 Vdc; ±10 Vdc). • Digital (RS-232; RS-485; CANbus; MODbus).
Calibration Range	Special full scale range (Example: 75 lb).
Cable Length	Cable length specified.
Cable Connector	Add a connector to the end of the cable. Consult factory for available connectors.
Custom Options	Other unlisted customer requested options welcome.

CE
0539

MODIFICATIONS: We realize load cell applications vary greatly and as such our designs are flexible. Choice of electrical termination, material compatibility and performance characteristics are a few of the many options available. Specifications on this datasheet represent the standard configuration only. Product and company names listed are trademarks of their respective companies. Specifications subject to change without notice.

WARRANTY: RDP warrants that its product shall be free from defective workmanship and/or material for a twelve month period from the date of shipment, provided that RDP's obligation hereunder shall be limited to correcting any defective material FOB our factory. No allowance will be made for any expenses incurred for correcting any defective workmanship and/or material without written consent by RDP. This warranty is in lieu of all other warranties expressed or implied.

Due to the nature of technology, changes are inevitable. For latest technical specifications, see our website.

RDP Electronics Ltd. • Grove Street, Heath Town • Wolverhampton WV10 0PY

Tel: 01902 457512 • **Fax:** 01902 452000

E-mail: sales@rdpe.com • **Website:** www.rdpe.com

Copyright © 2010 RDP Electronics Ltd. • All Rights Reserved
Datasheet P/N: 236770A

