

THE FOLLOWING PAGE CONTAINS THE CONNECTION DETAILS

It is your responsibility to ensure that the transducer identification matches the connection details.

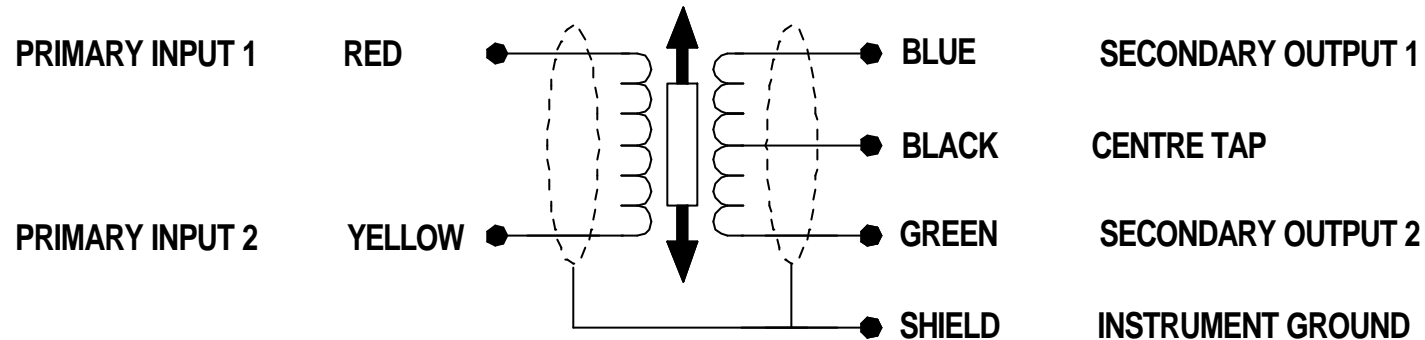
Please ensure that the transducer has not been modified or fitted with a cable or extension.

Particularly on DC-DC powered transducers, incorrect connection may cause **IRREPERABLE
DAMAGE** to the transducer which is **NOT COVERED BY WARRANTY**



ACT SERIES (LVDT)

CONNECTION DETAILS



NOTE : The BLACK wire is not required when used with RDP instrumentation. If not used the BLACK wire should be insulated from any other wires or connections including the cable shield.

ENERGISING SUPPLY : 0.5 to 7V r.m.s. 5kHz optimum.

SENSITIVITY : Refer to RDP Calibration Certificate.

LOAD IMPEDANCE : 100k Ohms optimum.

PHASING : YELLOW and GREEN are in phase with the armature fully extended.

RDP U.K.
Tel 01902 457512
Fax 01902 452000



Certificate No. FM 13141
BS EN ISO 9001:2000

**MADE IN THE
UNITED KINGDOM**

Doc. Ref. WDUK1000
ISSUE 2 - 16 DEC 2003

RDP U.S.A.
Tel 610 469 0850
Fax 610 469 0852