

THE FOLLOWING PAGE CONTAINS THE CONNECTION DETAILS

It is your responsibility to ensure that the transducer identification matches the connection details, including any RDP modification (T.M) references.

Please ensure that the transducer has not been modified or fitted with a cable or extension.

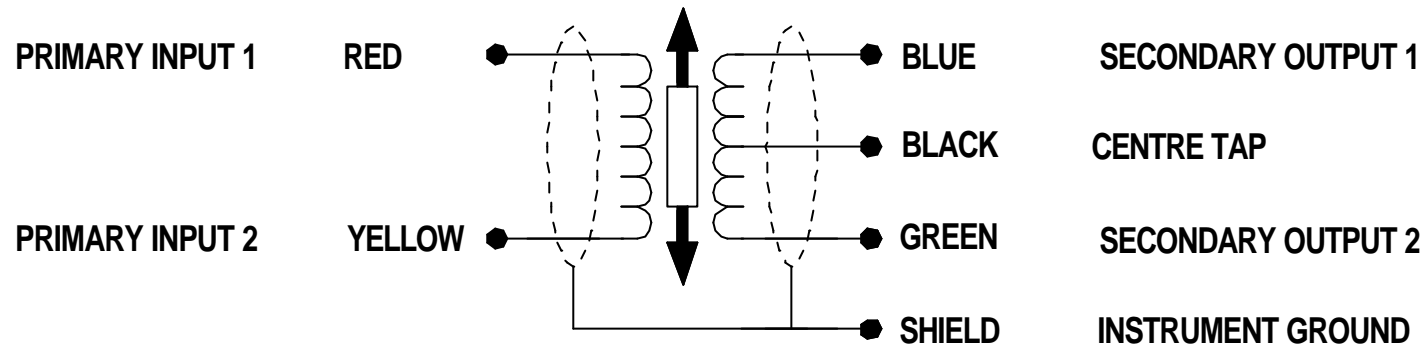
Particularly on DC-DC powered transducers, incorrect connection may cause **IRREPERABLE DAMAGE** to the transducer which is **NOT COVERED BY WARRANTY**

**IF YOU ARE IN ANY DOUBT PLEASE CONTACT US**



# D6 SERIES WITH CABLE (LVDT)

## CONNECTION DETAILS



**NOTE :**

The BLACK wire is not required when used with RDP instrumentation. If not used the BLACK wire should be insulated from any other wires or connections including the cable shield.

**ENERGISING SUPPLY :** 0.5 to 7V r.m.s. 5kHz.

**SENSITIVITY :** Refer to RDP Calibration Certificate.

**CALIBRATED :** 5V, 5kHz energisation into 100k Ohms.

**PHASING :** YELLOW and GREEN are in phase with the armature fully extended.

**RDP U.K.**  
Tel 01902 457512  
Fax 01902 452000



Certificate No. FM 13141  
BS EN ISO 9001:2000

**MADE IN THE  
UNITED KINGDOM**

Doc. Ref. WDUK1061  
ISSUE 1 - 5 APRIL 2004

**RDP U.S.A.**  
Tel 610 469 0850  
Fax 610 469 0852