

THE FOLLOWING PAGE CONTAINS THE CONNECTION DETAILS

It is your responsibility to ensure that the transducer identification matches the connection details, including any RDP modification (T.M) references.

Please ensure that the transducer has not been modified or fitted with a cable or extension.

Particularly on DC-DC powered transducers, incorrect connection may cause **IRREPERABLE DAMAGE** to the transducer which is **NOT COVERED BY WARRANTY**

IF YOU ARE IN ANY DOUBT PLEASE CONTACT US



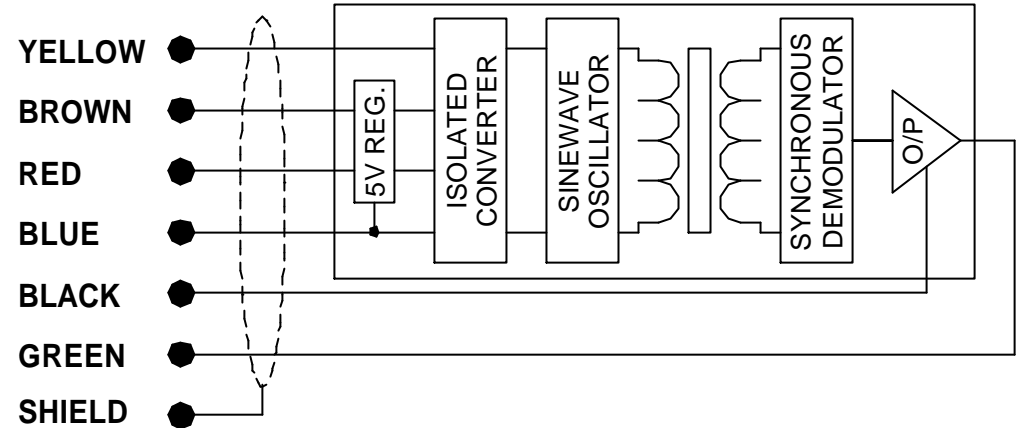
LDC SERIES (DC to DC LVDT)



CONNECTION DETAILS

5V Supply	
+5V Input	YELLOW
Insulate	BROWN
Insulate	RED
Supply Com. (0V)	BLUE
Output Low	BLACK
Output High	GREEN
Instrument Ground	SHIELD

6-18V Supply	
Connect to Brown	YELLOW
Connect to Yellow	BROWN
+6 to +18V d.c	RED
Supply Com. (0V)	BLUE
Output Low	BLACK
Output High	GREEN
Instrument Ground	SHIELD



LOAD IMPEDANCE : 2k (min.) Ohms

ISOLATION : 1kV input to output

PHASING : Output high positive with respect to output low for outward stroke.

SUPPLY : Smooth d.c. voltage 100mA max.

OUTPUT : +/- 2.2V nom. (See Calibration Certificate)
(RDP Calibration Supply 12V)

**NOTE : INCORRECT CONNECTION MAY CAUSE IRREPARABLE DAMAGE
CONTACT OUR SALES DEPARTMENT IF YOU REQUIRE ASSISTANCE**

RDP U.K.
Tel 01902 457512
Fax 01902 452000



Certificate No. FM 13141
BS EN ISO 9001:2000

**MADE IN THE
UNITED KINGDOM**

Doc. Ref. WDUK1150
ISSUE 3 - 16 DEC 2003

RDP U.S.A.
Tel 610 469 0850
Fax 610 469 0852