

THE FOLLOWING PAGE CONTAINS THE CONNECTION DETAILS

It is your responsibility to ensure that the transducer identification matches the connection details, including any RDP modification (T.M) references.

Please ensure that the transducer has not been modified or fitted with a cable or extension.

Particularly on DC-DC powered transducers, incorrect connection may cause **IRREPERABLE DAMAGE** to the transducer which is **NOT COVERED BY WARRANTY**

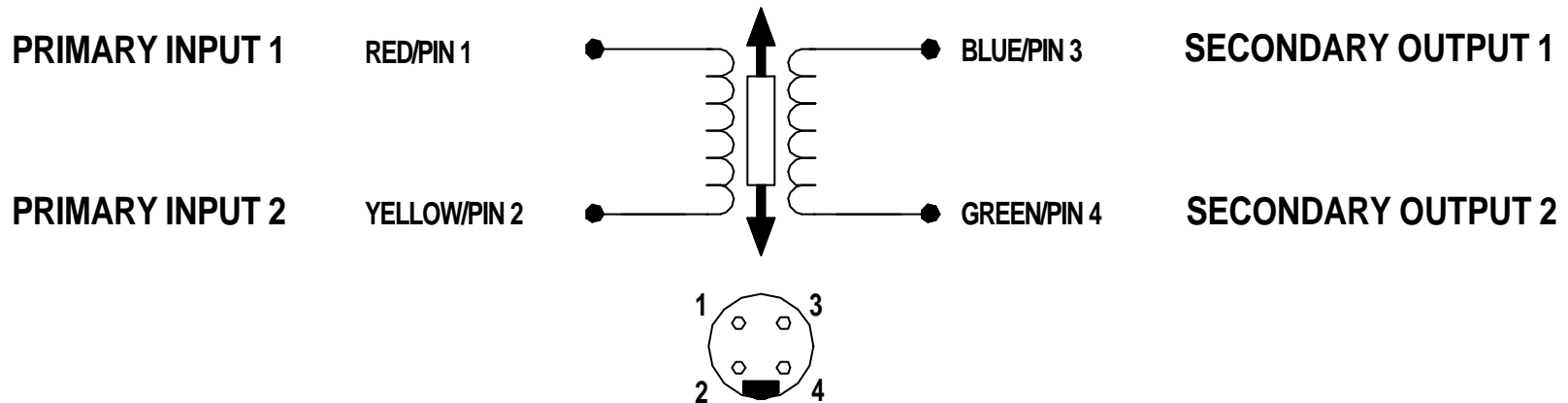
IF YOU ARE IN ANY DOUBT PLEASE CONTACT US

DESPATCH : INCLUDE CD1023 IF TRANSDUCER HAS NO CABLE FITTED.



ACW SERIES (LVDT - OPTIONS 6 & 9)

CONNECTION DETAILS



- NOTE :** If no cable is fitted, see CD1023 for fitting instructions.
- ENERGISING SUPPLY :** 0.5 to 7V r.m.s. 5kHz optimum.
- SENSITIVITY :** Refer to RDP Calibration Certificate.
- PHASING :** YELLOW & GREEN are in phase with the armature fully extended.
- CALIBRATED :** 5V, 5kHz energisation into 100k Ohms.

EXCESSIVE SOLDERING IRON HEAT APPLIED TO PINS WILL IRREPARABLY DAMAGE TRANSDUCER

RDP U.K.
Tel 01902 457512
Fax 01902 452000



Certificate No. FM 13141
BS EN ISO 9001:2000

**MADE IN THE
UNITED KINGDOM**

Doc. Ref. WDUK1403
ISSUE 2 - 4 FEB 2004

RDP U.S.A.
Tel 610 469 0850
Fax 610 469 0852