

THE FOLLOWING PAGE CONTAINS THE CONNECTION DETAILS

It is your responsibility to ensure that the transducer identification matches the connection details, including any RDP modification (T.M) references.

Please ensure that the transducer has not been modified or fitted with a cable or extension.

Particularly on DC-DC powered transducers, incorrect connection may cause **IRREPERABLE DAMAGE** to the transducer which is **NOT COVERED BY WARRANTY**

IF YOU ARE IN ANY DOUBT PLEASE CONTACT US



DCW SERIES

(TM85A & B OUTPUT, STD. & OPT. 7 CABLES)

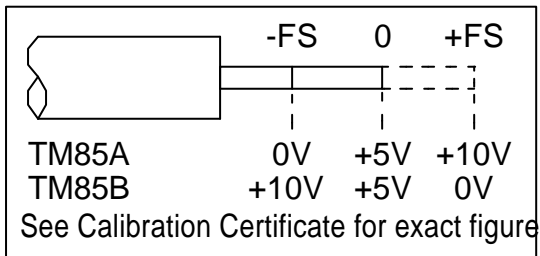
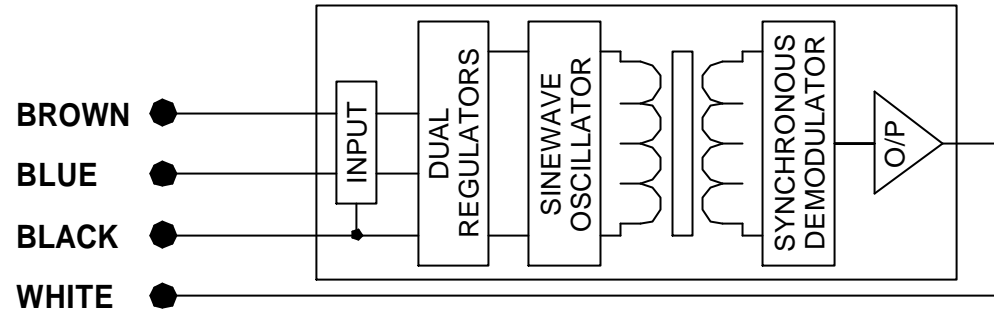


CONNECTION DETAILS

| Dual Supply | |
|--------------------|--------------|
| +13 to +20V Input | BROWN |
| -13 to -20V Input | BLUE |
| 0V Common I/P, O/P | BLACK |
| Output | WHITE |

| Single Supply * | |
|----------------------|--|
| 26 to 40V Input (Vs) | |
| Supply Common | |
| Output Common ** | |
| Output | |

* SUPPLY MUST BE FULLY FLOATING
 ** OUTPUT COMMON FLOATS AT $V_s/2$



LOAD IMPEDANCE: 2k (min.) Ohms with dual supply.
 20k (min.) Ohms with single supply

SUPPLY: Smooth d.c. voltage 25mA typical.

NOTE : INCORRECT CONNECTION MAY CAUSE IRREPARABLE DAMAGE
CONTACT OUR SALES DEPARTMENT IF YOU REQUIRE ASSISTANCE

RDP U.K.
Tel 01902 457512
Fax 01902 452000



Certificate No. FM 13141
 BS EN ISO 9001:2000

MADE IN THE
 UNITED KINGDOM

Doc. Ref. WDUK1452
 ISSUE 3 - 21 APR 2004

RDP U.S.A.
Tel 610 469 0850
Fax 610 469 0852