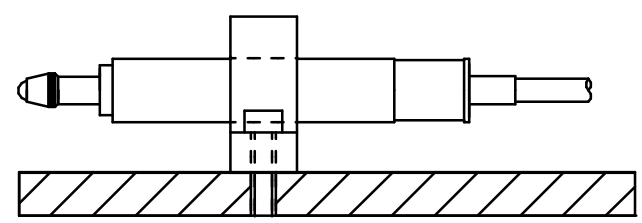
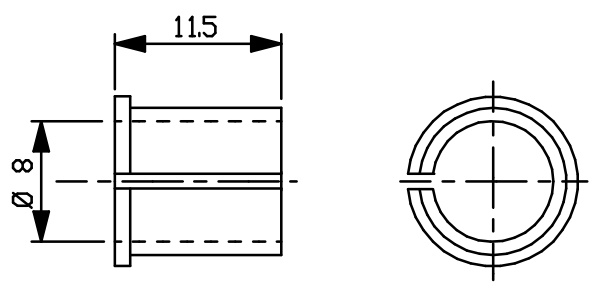
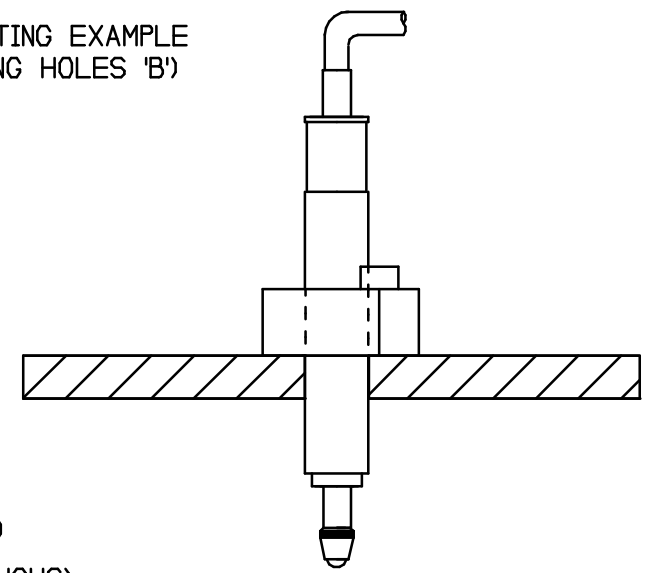


MOUNTING EXAMPLE (FIXING HOLES 'A')



MOUNTING EXAMPLE (FIXING HOLES 'B')



PLASTIC SPLIT BUSH ADAPTOR
USED FOR TRANSDUCER BODY Ø 8mm

- HOLE A - Ø3.4, C'BORE Ø5.7 x 3 DEEP
- HOLE B - Ø3.15
- HOLE C - Ø3.4

MATERIAL : GLASS FILLED NYLON (BLACK)
OPERATING TEMP. : -20 TO 110°C (CONTINUOUS)
 -20 TO 200°C (SHORT TERM)

NOTE : TO FIT 9.5mm OR 8mm TRANSDUCER WITH SLEEVE, REMOVE CLAMPING BOLT AND SLIGHTLY SPRING OPEN CLAMP BY INSERTING SUITABLE TOOL INTO SLOT. REPLACE CLAMPING BOLT AND TIGHTEN.
 UNIT SUPPLIED WITH 2 OFF FIXING SCREWS.
 (M3 CAP HEAD X 20 LONG)

E	DCS87/45 (AAP2039)		17.4.12
D	HOLES A & B DIM'S ADDED.		26.5.04
C	DIM'S ADDED.		23.2.04
B	FITTING NOTE & DIM'S ADDED.		6.1.04
A			22.10.03
No	DESCRIPTION	APP'D	DATE
	ALTERATIONS		

RDP ELECTRONICS LTD WOLVERHAMPTON OWNS THE INTELLECTUAL COPYRIGHT ON THIS INFORMATION IT MUST NOT BE DUPLICATED OR DISTRIBUTED IN ANY FORM WITHOUT PERMISSION OF RDP ELECTRONICS LIMITED	MOUNTING CLAMP MB02 USED ON MINIATURE TRANSDUCERS (Ø 8 & Ø 9.5)	DRAWN P.ZARB SCALE — A4 DATE 22.10.03 APPROVED DRAWING No D16426 1 of 1
--	---	---